

Electric Immersion Holding Furnace

Make a serious cut in your energy bill with a Lindberg/MPH electric immersion holding furnace. Our immersion technology can reduce your electric consumption by a third. This model maximizes temperature uniformity throughout the bath which improves metal quality and reduces the propensity to sludge.

Since no heat is applied above the bath, the recovery time is much quicker than other designs. The design also provides ease of cleaning for the operator because there is virtually no oxide build-up at the bath line and the surface remains undisturbed.

Element Rating & Sialon Protection Tube Standard Sizes:

- 10 kW
- 12.5 kW
- 15 kW
- 17.5 kW
- 19 kW

A standard holding furnace has two to five tubes

Mounting Configurations

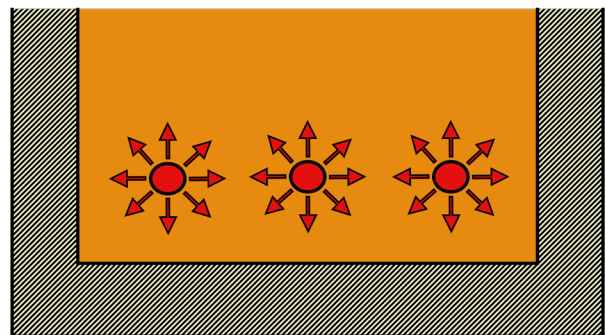
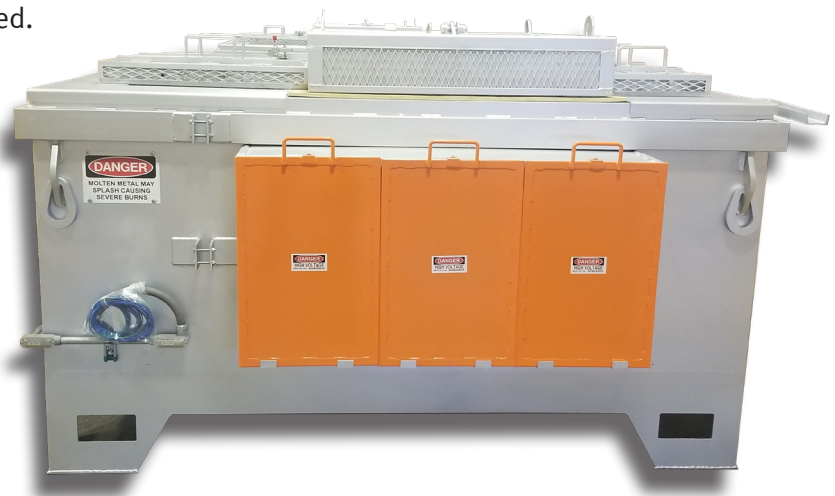
- Horizontally Mounted
- Vertically Mounted

Lining Configurations

- Board Lined
- Cast

Additional Attachments

- Hydraulic lid lifts
- Crane/Winch lid lifts



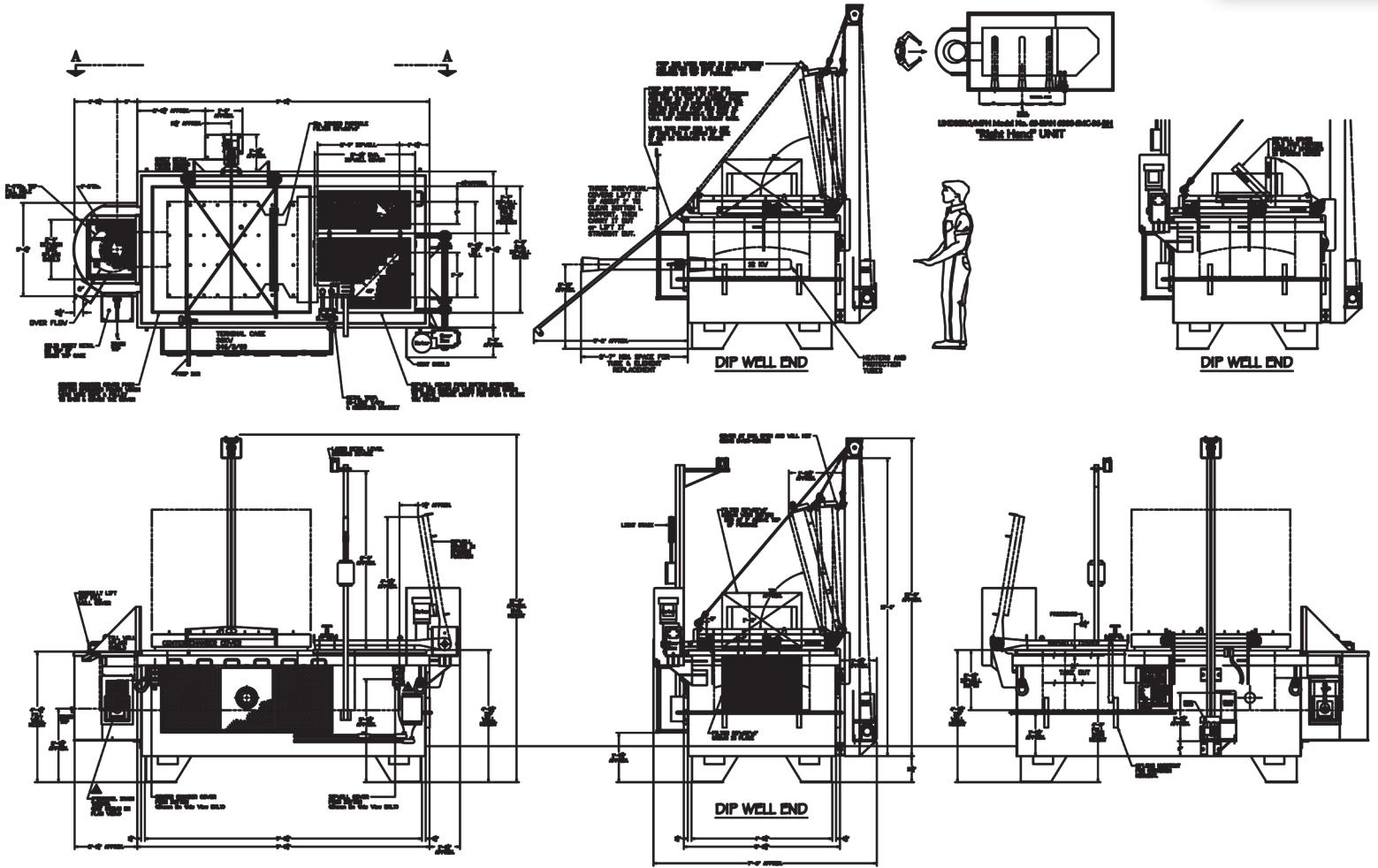
Lindberg/MPH
Phone: (269) 849-2700

P.O. Box 131, 3827 Riverside Road Riverside, MI 49084

• Fax: (269) 849-3021 • lindbergmph@lindbergmph.com

www.lindbergmph.com

LINDBERG/MPH



TPS
Lindberg/MPH is a brand of
Thermal Product Solutions, LLC

Lindberg/MPH
Phone: (269) 849-2700

P.O. Box 131, 3827 Riverside Road Riverside, MI 49084

• Fax: (269) 849-3021 • lindbergmph@lindbergmph.com

www.lindbergmph.com